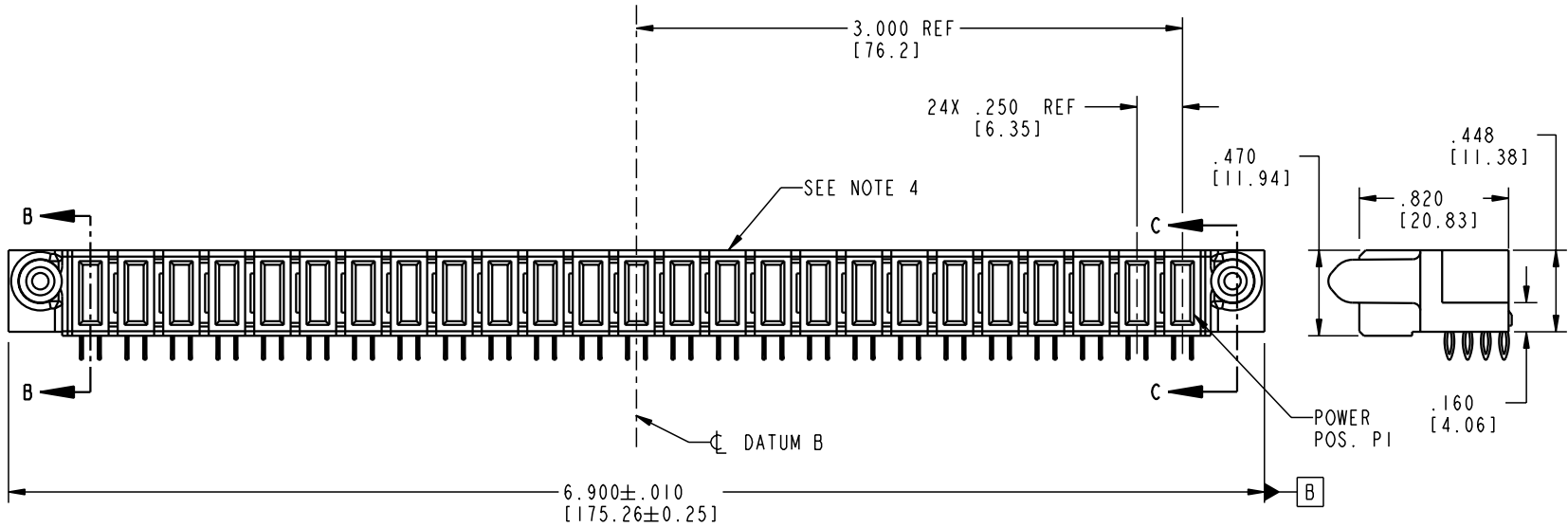


Tous droits strictement réservés. Reproduction ou communication o des liers interdite sous quelque forme que ce soit sans autorisation écrite du propriétaire. Propriete de c FCI. Droits de reproduction FCI.

All rights strictly reserved. Reproduction or issue to third parties in any form whenever is not permitted without written authority from the proprietor. Property of FCI. Copyright FCI.

PRODUCT NO.	POWER																										
51866-016	E2	P25	P24	P23	P22	P21	P20	P19	P18	P17	P16	P15	P14	P13	P12	P11	P10	P9	P8	P7	P6	P5	P4	P3	P2	P1	E1



CODE	DIM "M" MATING LENGTH	CONTACT TYPE
PE	.042 [1.07]	POWER

mat'l code SEE NOTE 2				tolerances unless otherwise specified		CUSTOMER		 www.fciconnect.com	
ltr	ecn no.	dr	date	linear	.XX±.01/0.X±0.3		COPY		 title 25P R/A PRESS-FIT RECEPTACLE
A	V03-0011	TAB	01/09/03		.XXX±.005/0.XX±0.13		projection		
				angles	.XXX±.0020/0.XXX±0.051		 INCH/MM		product family PwrBlade code 213 size dwg no 51866-016 sheet 1 of 4
					dr	T. BRUNGARD	01/09/03	scale 1:1	
				enr	M. MOSTOLLER	mm/dd/yy			
				chr	M. MOSTOLLER	01/09/03			
				appd	M. MOSTOLLER	01/09/03			
sheet index	revision sheet	A	A	A	A				
		1	2	3	4				

Pro/E

cage code 22526

PDM: Rev:A

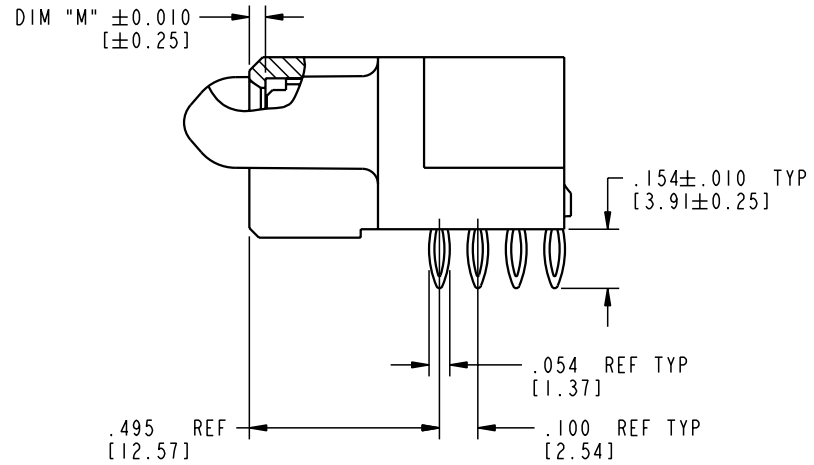
STATUS: Released

Printed: Aug 14, 2007

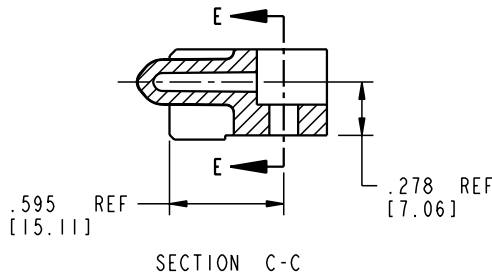
Tous droits strictement reserves. Reproduction ou communication a des tiers interdite sous quelque forme que ce soit sans autorisation ecrite du proprietaire. Propriete de c FCI. Droits de reproduction FCI.

All rights strictly reserved. Reproduction or issue to third parties in any form whatever is not permitted without written authority from the proprietor. Property of FCI. Copyright FCI.

PRODUCT NUMBER
51866-016


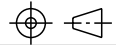


BROKEN-OUT SECTION B-B
SCALE 2:1



SECTION C-C

PARTIAL SECTION E-E

mat'l code SEE NOTE 2				tolerances unless otherwise specified		CUSTOMER		 www.fciconnect.com	
ltr	ecn no.	dr	date	linear	$.XX \pm .01/0.X \pm 0.3$ $.XXX \pm .005/0.XX \pm 0.13$ $.XXXX \pm .0020/0.XXX \pm 0.051$	COPY			
A				angles	$0^{\circ} \pm 2^{\circ}$			25P	
				dr	T. BRUNGARD 01/09/03	INCH/MM		R/A PRESS-FIT RECEPTACLE	
				enr	M. MOSTOLLER mm/dd/yy	product family		PwrBlade	
				chr	M. MOSTOLLER 01/09/03	size		code	
				appd	M. MOSTOLLER 01/09/03	dwg no		213	
				sheet index	revision sheet	scale		sheet	
						1:1		2 of 4	

cage code 22526

Pro/E

PDM: Rev:A

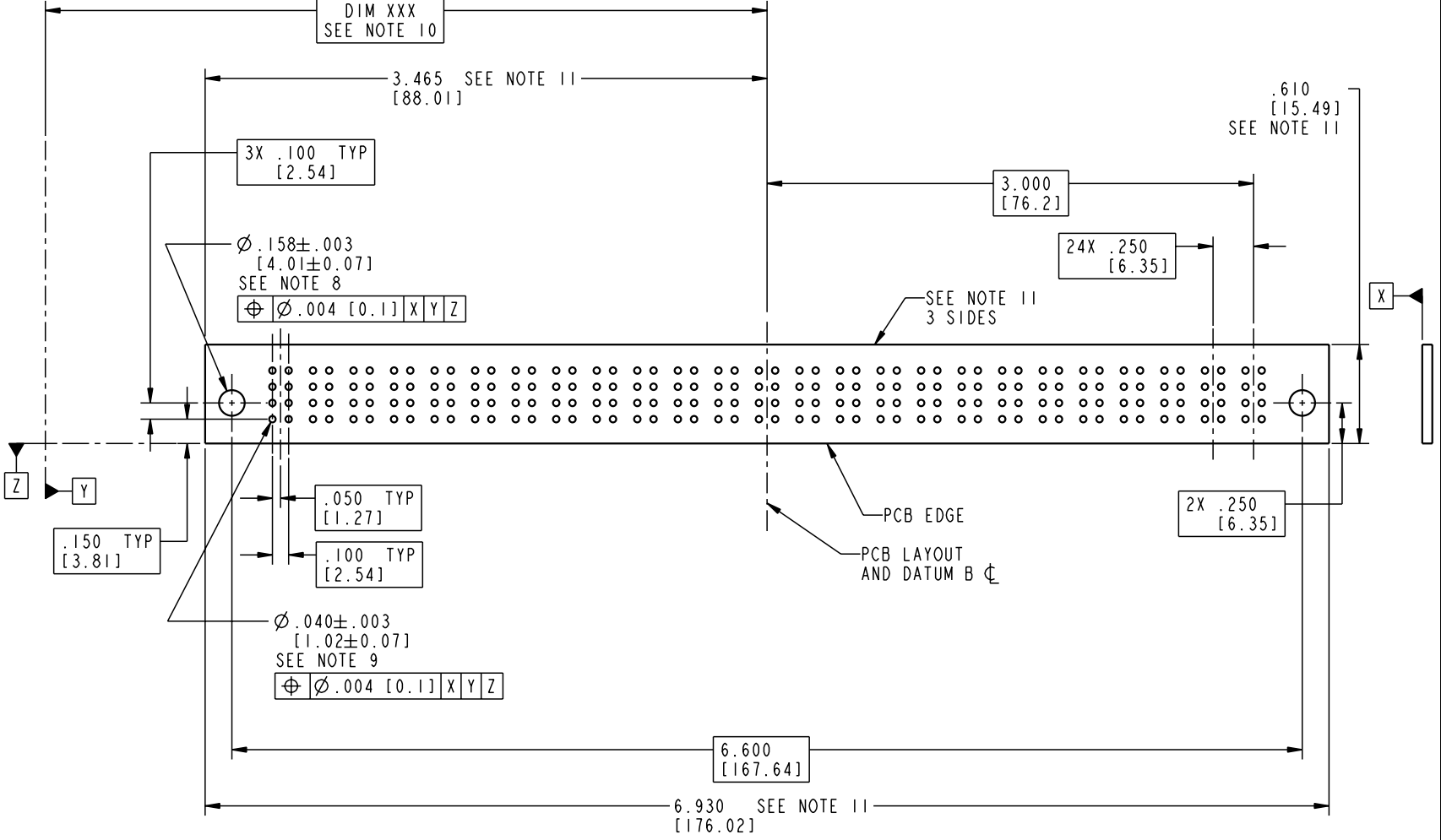
STATUS: Released

Printed: Aug 14, 2007

Tous droits strictement réservés. Reproduction ou communication o des tiers interdite sous quelque forme que ce soit sans autorisation écrite du propriétaire. Propriété de c FCI. Droits de reproduction FCI.

All rights strictly reserved. Reproduction or issue to third parties in any form whatever is not permitted without written authority from the proprietor. Property of FCI. Copyright FCI.

PRODUCT NUMBER
51866-016



mat'l code				SEE NOTE 2		tolerances unless otherwise specified		CUSTOMER		 www.fciconnect.com	
ltr	ecn no.	dr	date	linear	.XX±.01/0.X±0.3	projection		COPY		title	
A				angles	.XXX±.005/0.XX±0.13					25P	
				dr	.XXX±.0020/0.XX±0.051			INCH/MM		R/A PRESS-FIT RECEPTACLE	
				enr	T. BRUNGARD 01/09/03	scale		product family		code	
				chr	M. MOSTOLLER mm/dd/yy	1:1		PwrBlade		213	
				appd	M. MOSTOLLER 01/09/03			size		sheet	
sheet index		revision sheet						A		3 of 4	
								51866-016			

cage code 22526

Pro/E

Tous droits strictement réservés. Reproduction ou communication o des tiers interdite sous quelque forme que ce soit sans autorisation écrite du propriétaire. Propriete de c FCI. Droits de reproduction FCI.

A
FCI

All rights strictly reserved. Reproduction or issue to third parties in any form whatever is not permitted without written authority from the proprietor. Property of FCI. Copyright FCI.

B

PRODUCT NUMBER

51866-016

NOTES:

1. DIMENSIONS AND TOLERANCES ARE IN ACCORDANCE WITH ASME Y14.5M, 1994 UNLESS OTHERWISE SPECIFIED.

CONNECTOR NOTES:

- 2. HOUSING MATERIAL: UL 94 V-0 GLASS FILLED
HIGH-TEMP THERMOPLASTIC
POWER CONTACT MATERIAL: COPPER ALLOY
SIGNAL PIN MATERIAL: COPPER ALLOY
- 3. PLATING:
SIGNAL PINS: 30u"/0.76um Au OVER 50u"/1.27um Ni
POWER CONTACTS: 50u"/1.27um Ni UNDER ALL
WITH 30u"/0.76um Au ON CONTACT AREA
AND SnPb ON PCB INTERFACE
- 4. MANUFACTURER'S NAME, P/N, AND DATE CODE TO APPEAR ON THIS SURFACE.
- 5. PRODUCT SPECIFICATION GS-12-149.
APPLICATION SPECIFICATION BUS-20-067.


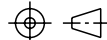
6. PACKAGED IN TRAYS.

PCB NOTES:

- 7. ALL HOLE DIAMETERS ARE FINISHED HOLE SIZE.
- 8. MOUNTING HOLES, WHERE APPLICABLE, ARE UNPLATED.
- 9. $\varnothing .0453 \pm .0010$ [1.151 \pm 0.025] DRILLED HOLES PLATED WITH .0003 [0.008] MIN SnPb OVER .001 [0.03] TO .003 [0.08] Cu PLATING TO ACHIEVE $\varnothing .040 \pm .003$ [1.02 \pm .07] HOLE.
- 10. "DIM XXX" TO BE DETERMINED BY THE CUSTOMER.

11. CONNECTOR KEEP-OUT ZONE.

12. USE FCI CAM TOOL 430140-XXX TO APPLY CONNECTOR TO PCB.

mat'l code		SEE NOTE 2		tolerances unless otherwise specified		CUSTOMER		 FCI www.fciconnect.com			
ltr	ecr no.	dr	date	linear	.XX±.01/0.X±0.3	COPY					
A				linear	.XXX±.005/0.XX±0.13	projection		title	25P		
				angles	.XXX±.0020/0.XX±0.051 0°+?°			R/A PRESS-FIT RECEPTACLE			
				dr	T. BRUNGARD 01/09/03	INCH/MM		product family	PwrBlade	code	
				enr	M. MOSTOLLER mm/dd/yy	scale		size	dwg no	sheet	213
				chr	M. MOSTOLLER 01/09/03	1:1		A	51866-016	4 of 4	
				appd	M. MOSTOLLER 01/09/03						
sheet index	revision sheet										

A

B

1 | 2

3 |

4

1 | 2

Pro/E

3 |

cage code 22526

4

PDM: Rev:A

STATUS: **Released**

Printed: Aug 14, 2007